



BIOCLIMATIC AND ROLLING ROOF SYSTEMS

Aluminum



Stainless
Component



Motorized
System



Remote
Control



2 Years
Warranty



Tempered
Glass



Tree
Friendly



Water
Proof



Insulation



CE
Certified



Powered by an electric motor and sealed with high quality gasket plugs, providing a completely airtight space which can be used in all weather conditions.
The motorized roof consists of rotatable aluminum panels



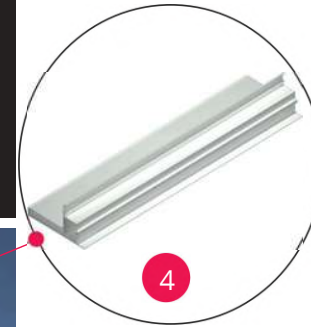
1



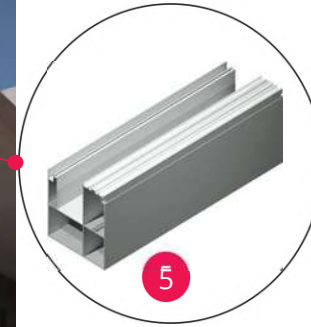
2



3



4



5



6

1 Panel

2 Cover

3 Gutter

4 Connection Part of Rail

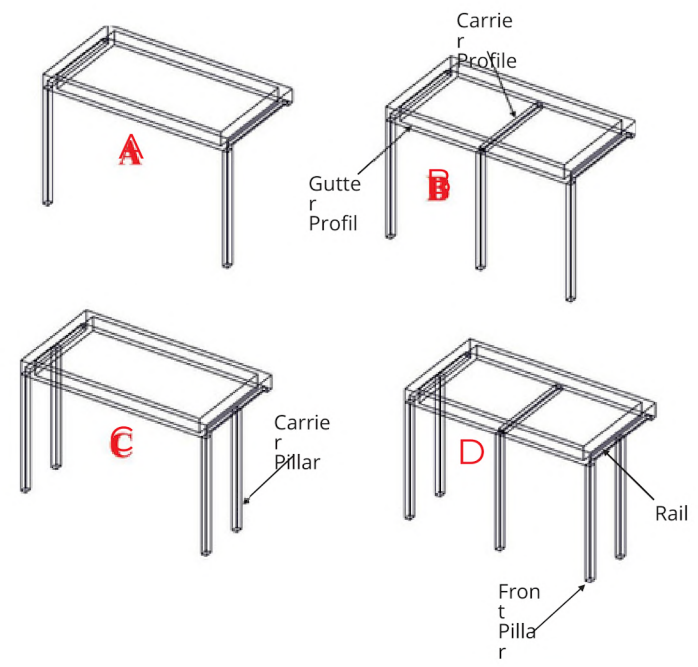
5 Rail

6 Pill ar

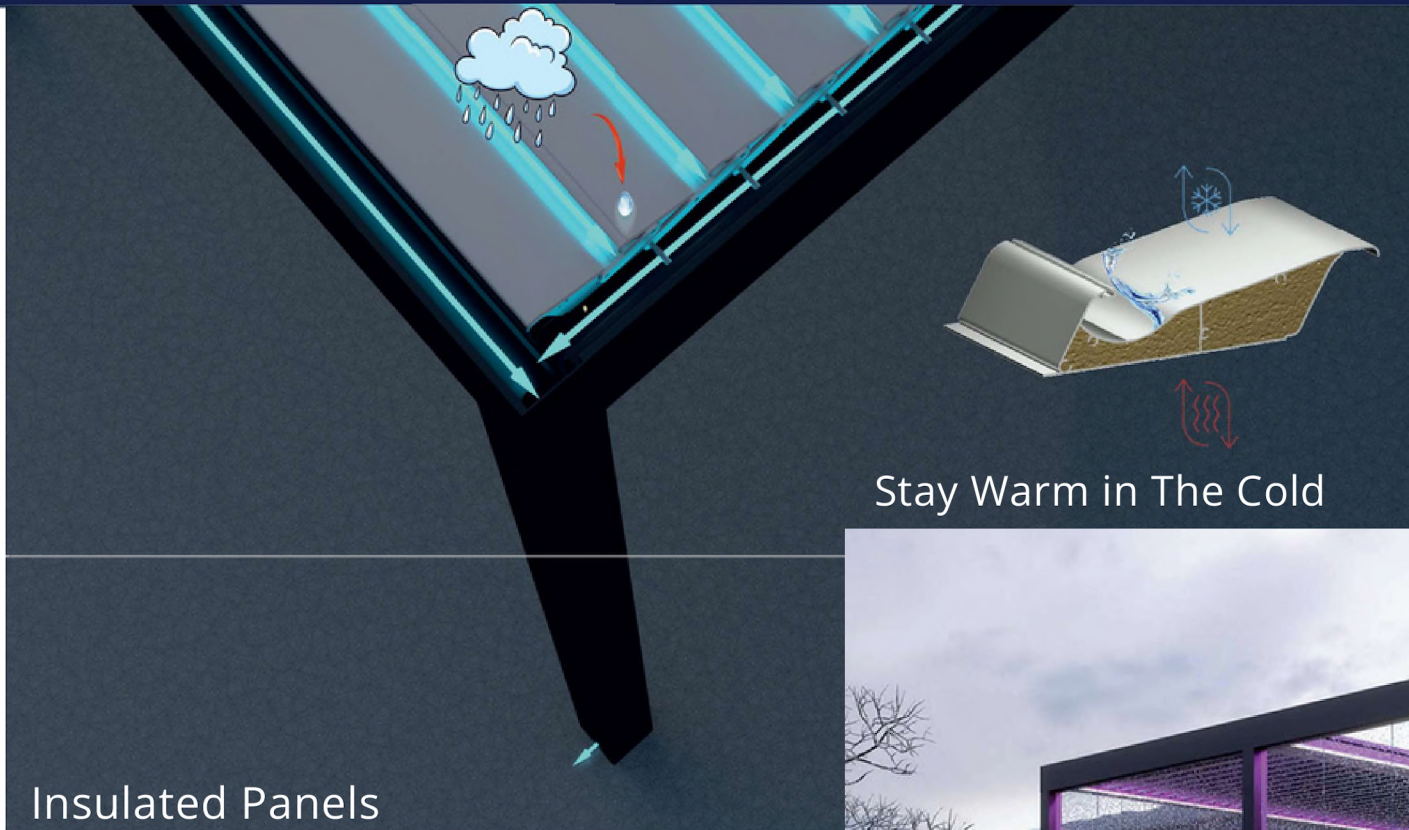
CALCULATE STRUCTURE OF ROLLING ROOF SYSTEMS

Projection / mm	Width / mm									
	MIN	3000	3500	4000	4500	5000	5500	6000	6500	7000
3000	A	A	A	A	B	B	B	B	B	B
3500	A	A	A	A	B	B	B	B	B	B
4000	A	A	A	A	B	B	B	B	B	B
4500	A	A	A	A	B	B	B	B	B	B
5000	A	A	A	A	B	B	B	B	B	B
5500	A	A	A	A	B	B	B	B	B	B
6000	A	A	A	A	B	B	B	B	B	B
6500	C	C	C	C	D	D	D	D	D	D
7000	C	C	C	C	D	D				
7500	C	C	C	C	D	D				
8000	C	C	C	C						
8500	C	C	C	C						
	C	C	C	C						
	C	C	C							
	C	C	C							
										MAX

BIOCLIMATIC Designing



- CHARACTERISTICS
- Installat on wall-mounted
- Mater al... alum n um
- Canopy mater al w th smooth slats, sun shade louvers
- Spec ficat ons custom, Roll ng bocl mat c, motor zed, w nd-proof
- Opt ons and accessor es w th ntegrated LED
- Style contemporary
- Ecolog cal character st cs energy-sav ng, recyclable, 100% recyclable
- Color Ma n Color (Wh te / Black ...)



Stay Warm in The Cold



Stay Cold in The Warm

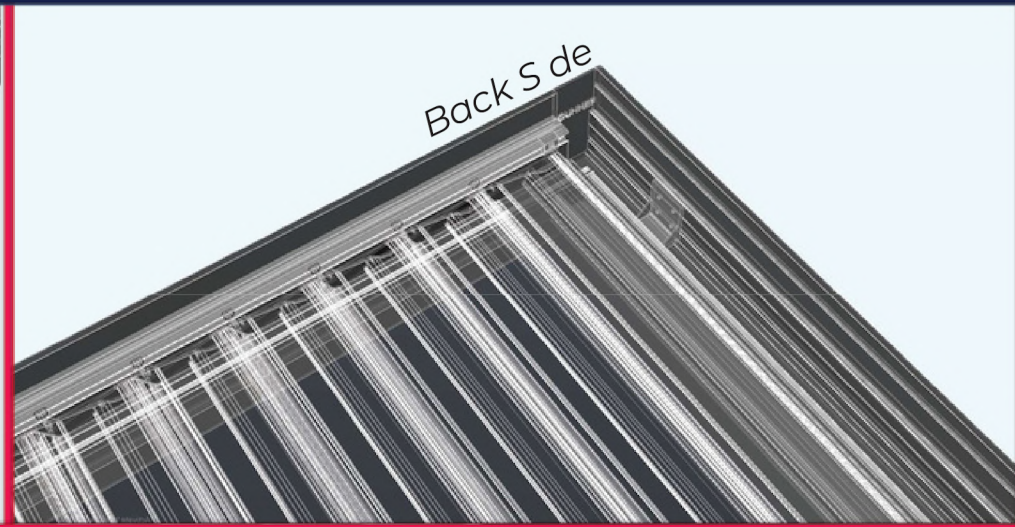
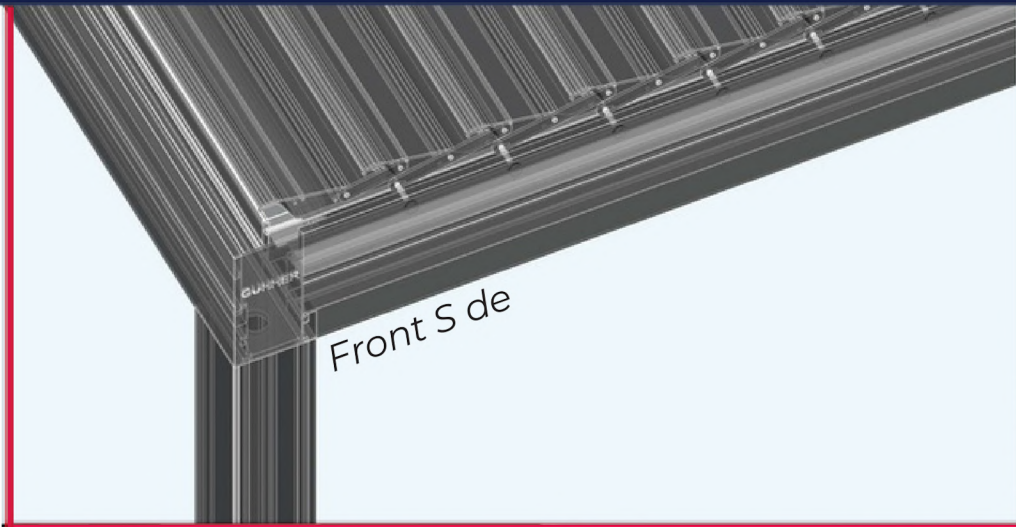
Insulated Panels

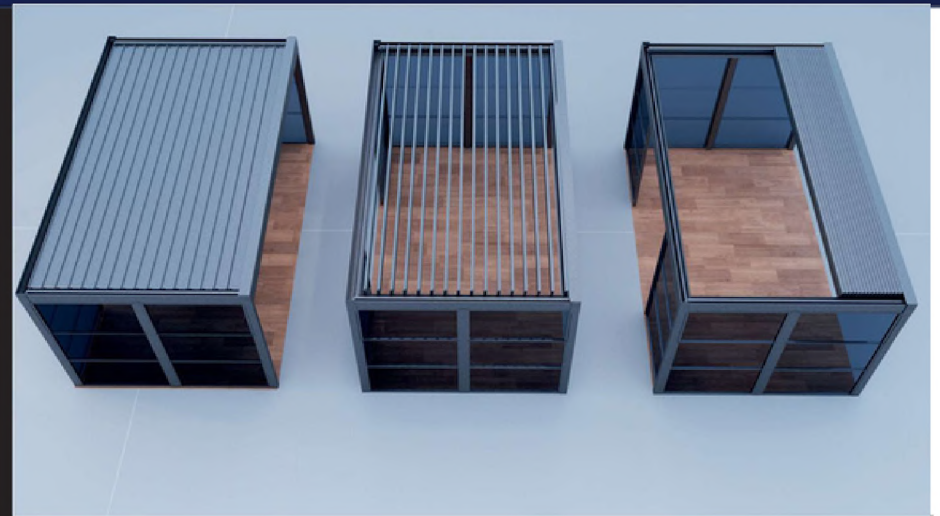
Significantly reduces wastage of hot weather in winter and cold weather in summer.

Panels can be filled with

Polyurethane Foam
which provides extra comfort.





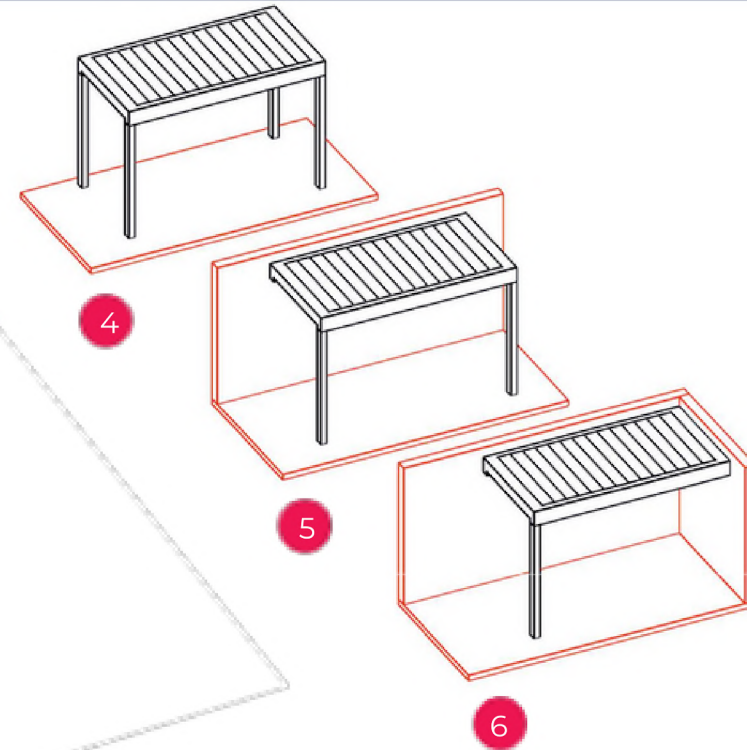
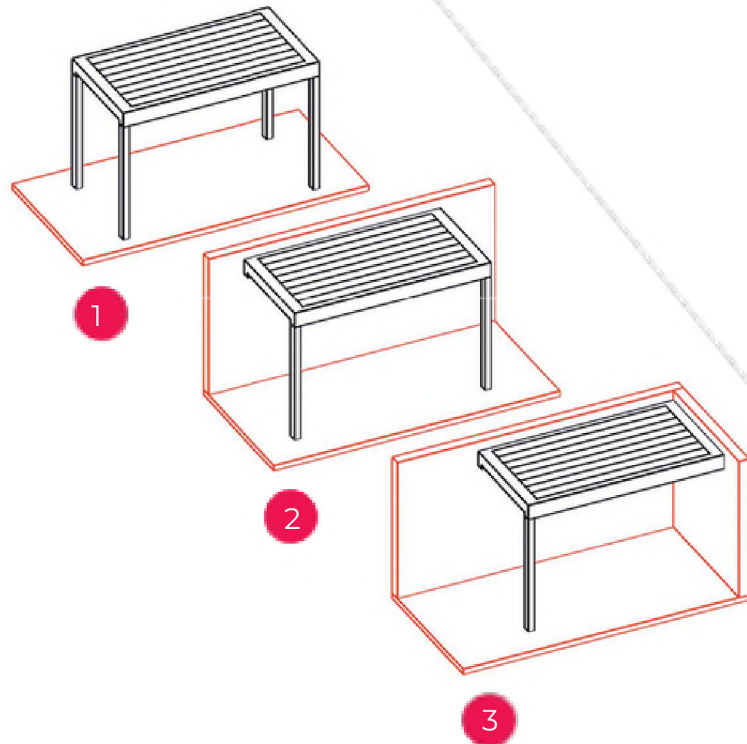


Rainwater or snow from the surface of the panels is directed to the gutters that are installed around the system and is directed into the pipes inside the pillars and finally drained out



The Top View Shows The Three Positions of The Panels

STANDING POSITIONS OF ROLLING ROOF



- 1 SELF STANDING SINGLE MODULE (Horizontal Panesl)
- 2 WALL ASSAMBELED ON ONE SIDE (Horizontal Panesl)
- 3 WALL ASSAMBELED ON TWO SIDES (Horizontal Panels)
- 4 SELF STANDING SINGLE MODULE (Vertical Panel) s
- 5 WALL ASSAMBELED ON ONE SIDE (Vertical Panel)s
- 6 WALL ASSAMBELED ON TWO SIDES (Vertical Panel) s













WE CAN
CREATE *private* AND
secure space for you



ALUMINIUM PERGOLA SYSTEMS



FLAT_01



ARC_01



FLAT_02



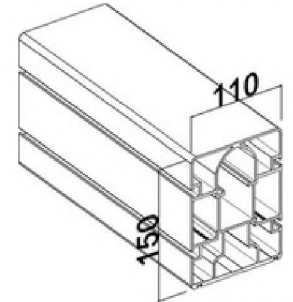
ARC_02



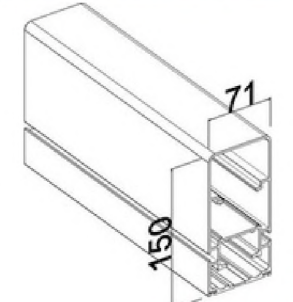
FLAT_03



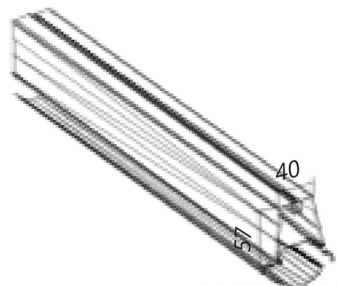
ARC_03



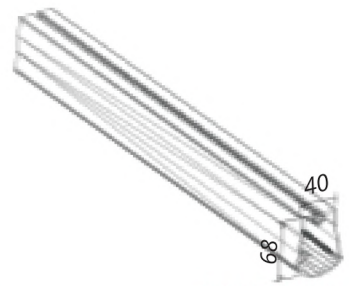
THICK RAIL



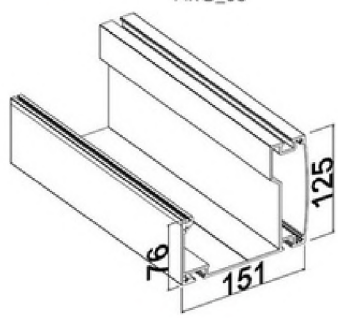
THIN RAIL



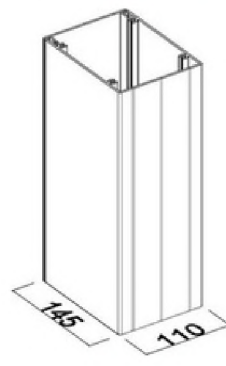
CROSSBAR WITH COVER (LED)



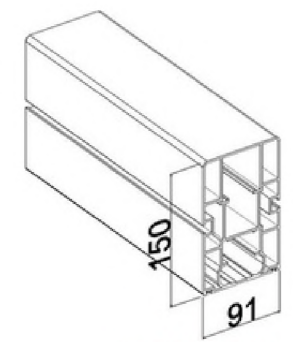
CROSSBAR SINGLE PIECE



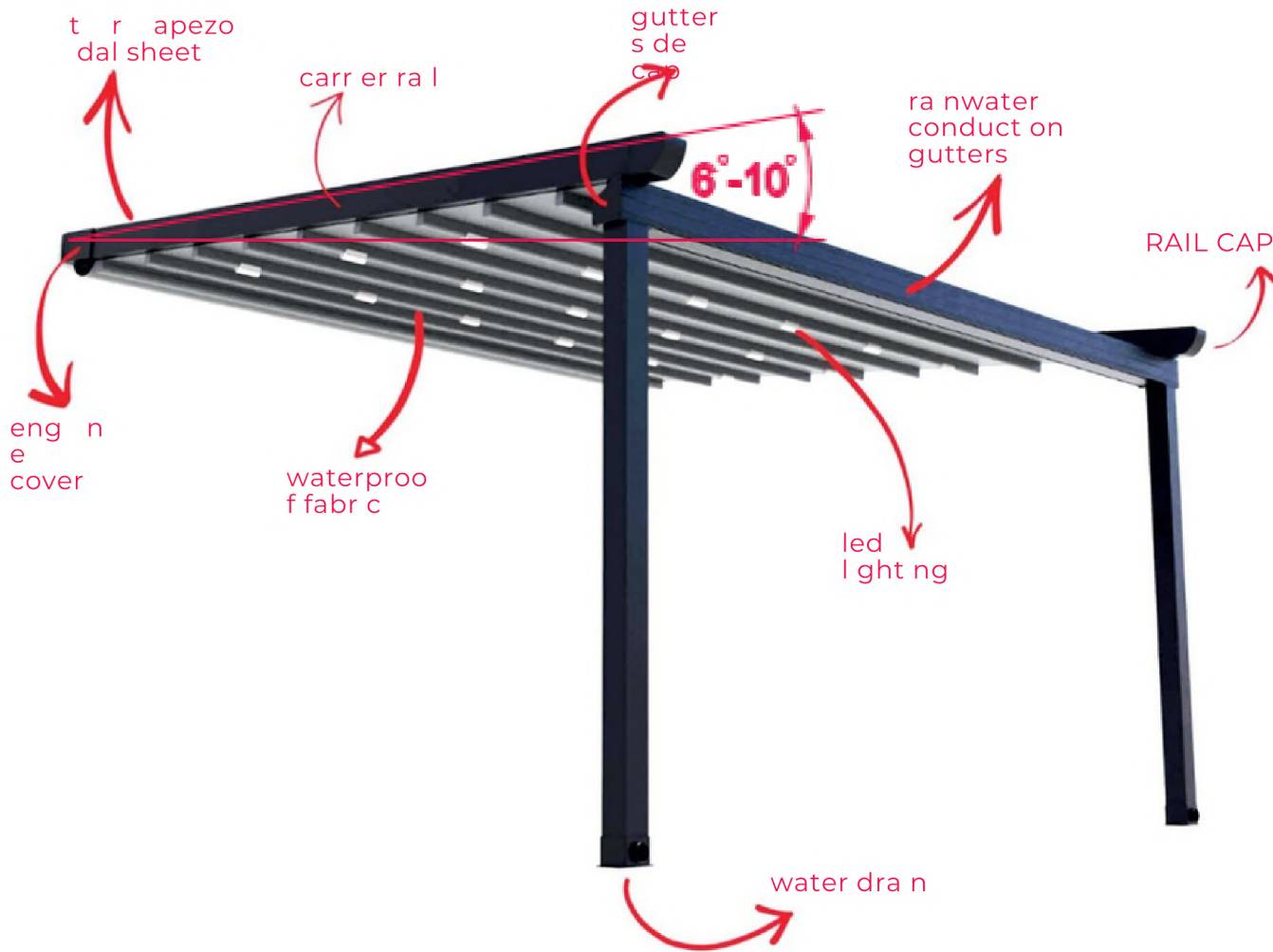
GUTTER



PILLAR

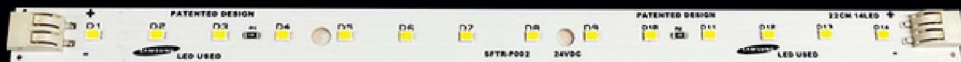


MIDDLE RAIL



Pergola Led Lighting

professional led system



COLOR CUSTOMIZATION

YOU CAN CHOOSE THE ALL RAL COLORS

Fabrics Test ng

EN	TEST METHOD	PHFR 870
Base Fabric		PES
Coating		PVC
Yarn (Denier)		1000x1000
Weaving		10x10
Total Weight (gsm)	TS 251:1991 METOT 6	870
Width (cm)		250, 300, 320
Tensile Strength (N/5 cm)	TS 2008 EN ISO 1421:2000 METOT 1	2300/2400 (Warp/Weft)
Tear Resistance (N)	DIN 53363	330/280 (Warp/Weft)
Adhesion (daN/5 cm)	EN ISO 2411	7
Light Fastness	ISO 105 B04:1994	6+
Water Resistance (mmSS)	TS 257 EN 20811:1996	Min. 8000
Wear	TS EN 530:2011	Min. 9000 Rotation
Temperature Resistance		-40C +70C
Flame Reterdancy	DIN4102-B2, ISO 6941:2003	PASS

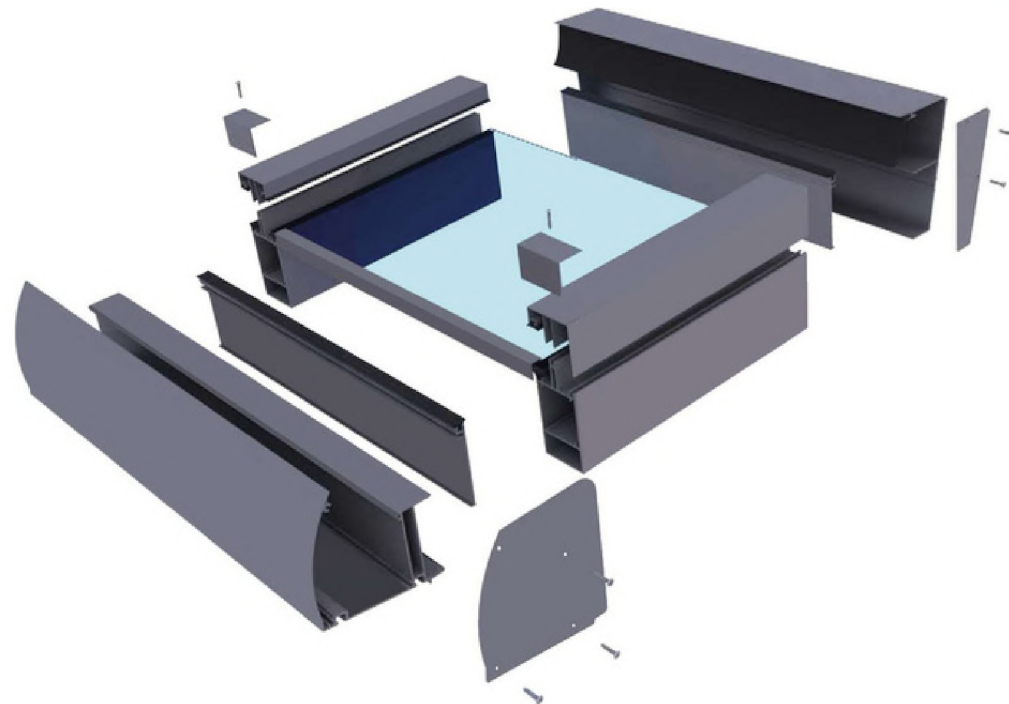




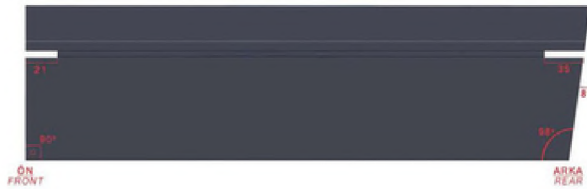
WE CAN
CREATE *pr vate* AND
secure space for you



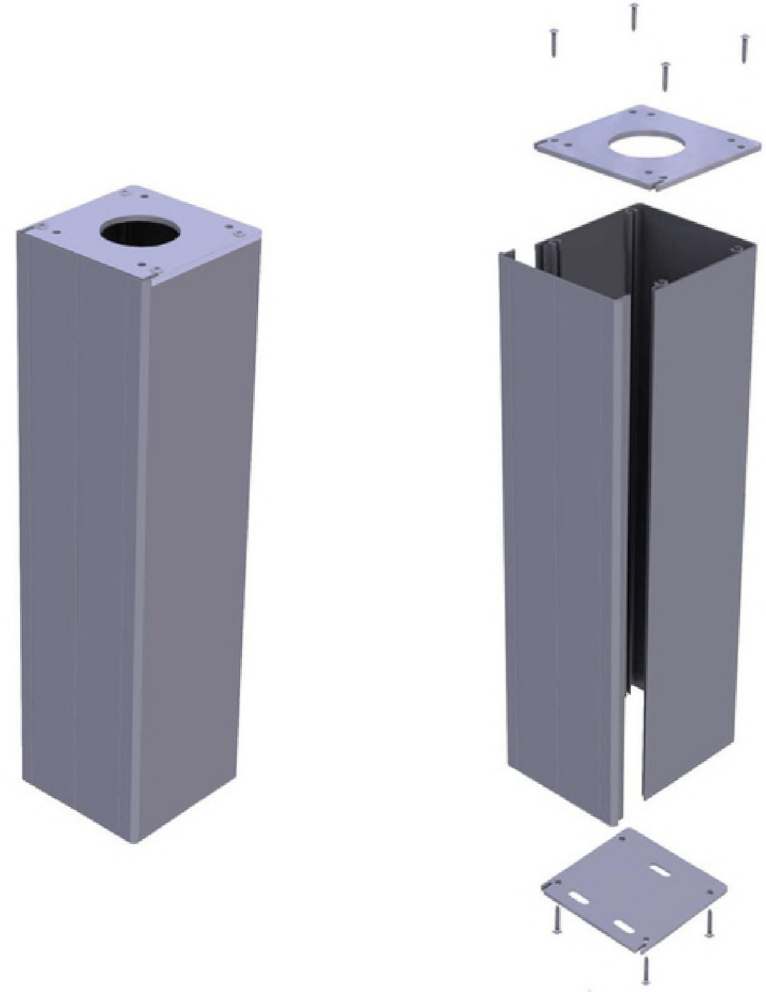
ALUMINIUM WINTER GARDEN SYSTEMS



ANTORYUM OVAL KERTME İŞLEMİ
ANTORYUM OVAL LOSS OPERATION



ANTORYUM OVAL AYAK BAĞLANTI
ANTORYUM OVAL FOOT CONNECTION





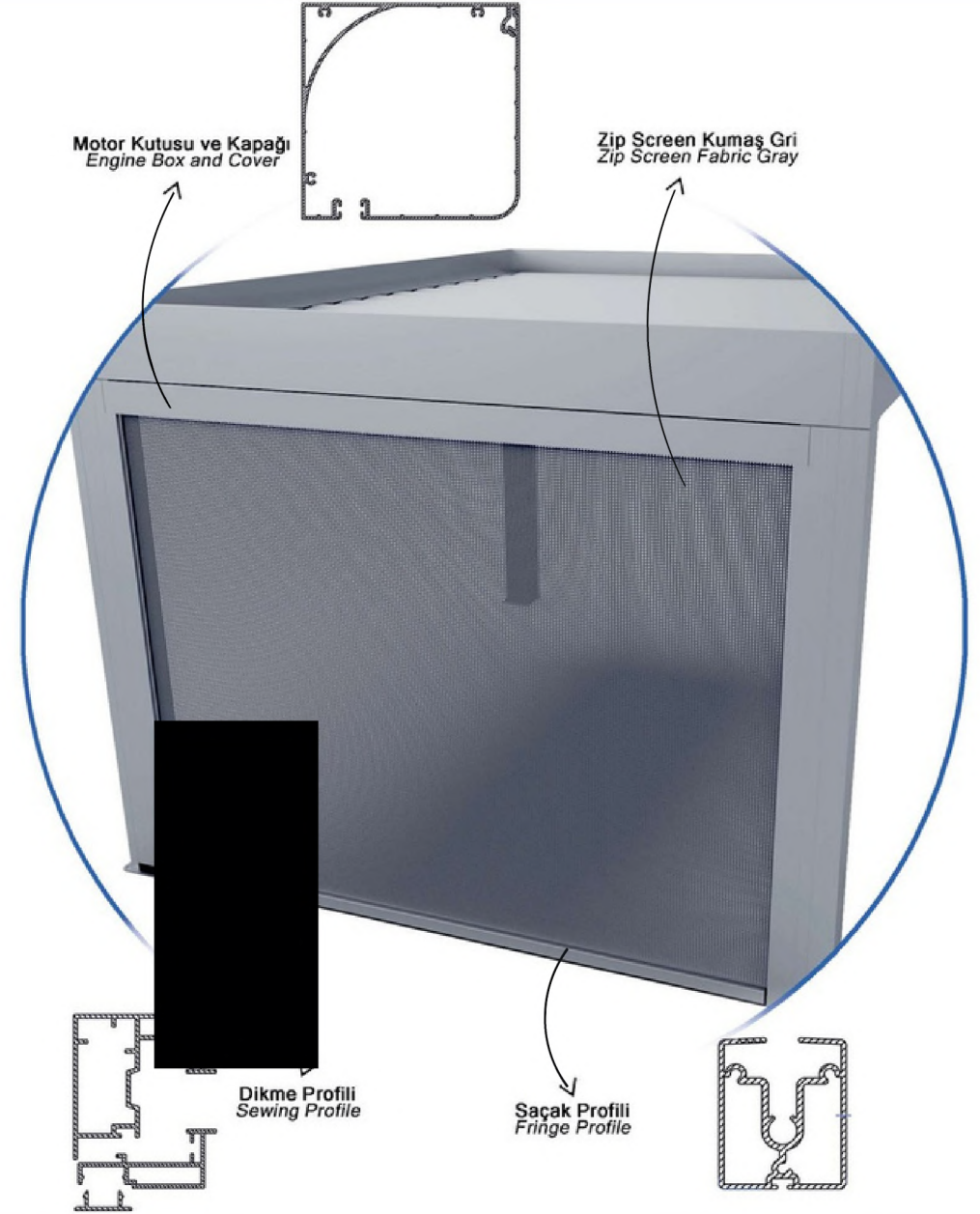
GLASS ROOF

WE CAN
CREATE *private* AND
secure space for you



ALUMINIUM ZIP SCREEN SYSTEMS

ZIP SİSTEMİ / ZIP SYSTEMS





ZIP SİSTEMİ / ZIP SYSTEMS



WE CAN
CREATE *private* AND
secure space for you



ALUMINIUM GUILLOTINE SYSTEMS



- Aluminum
- Stainless Components
- Motorized System
- Remote Control
- 2 Years Warranty
- Tempered Glass
- Eco Friendly
- Water Proof
- Insulation
- Certified

THE BEST SYSTEM WITH BEST ENGINES
 THAT WE PROPOSAL TO YOU





Hotels / Apartments / Restaurants



you may use this system anywhere



WE CAN
CREATE *private* AND
secure space for you

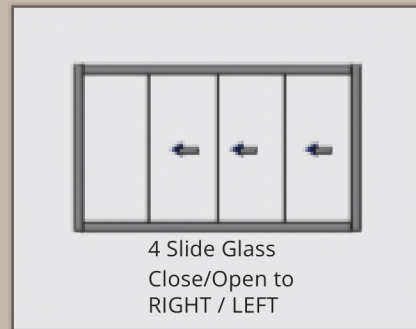
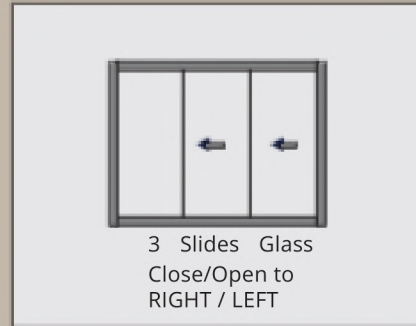


**ALUMINIUM NON-INSULATED
SLIDING DOOR SYSTEMS**

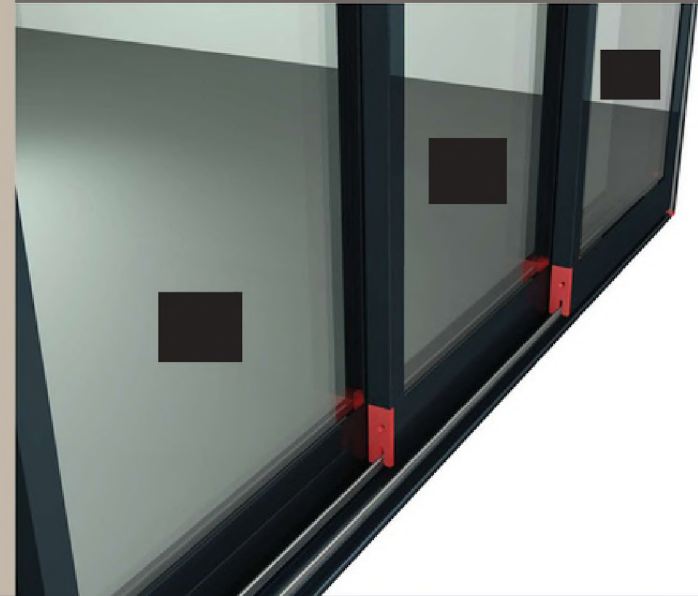
POSITIONS OF SLIDING SYSTEM

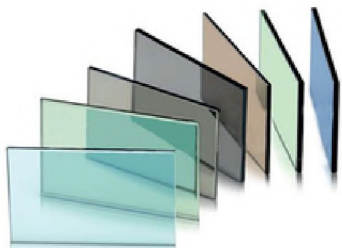
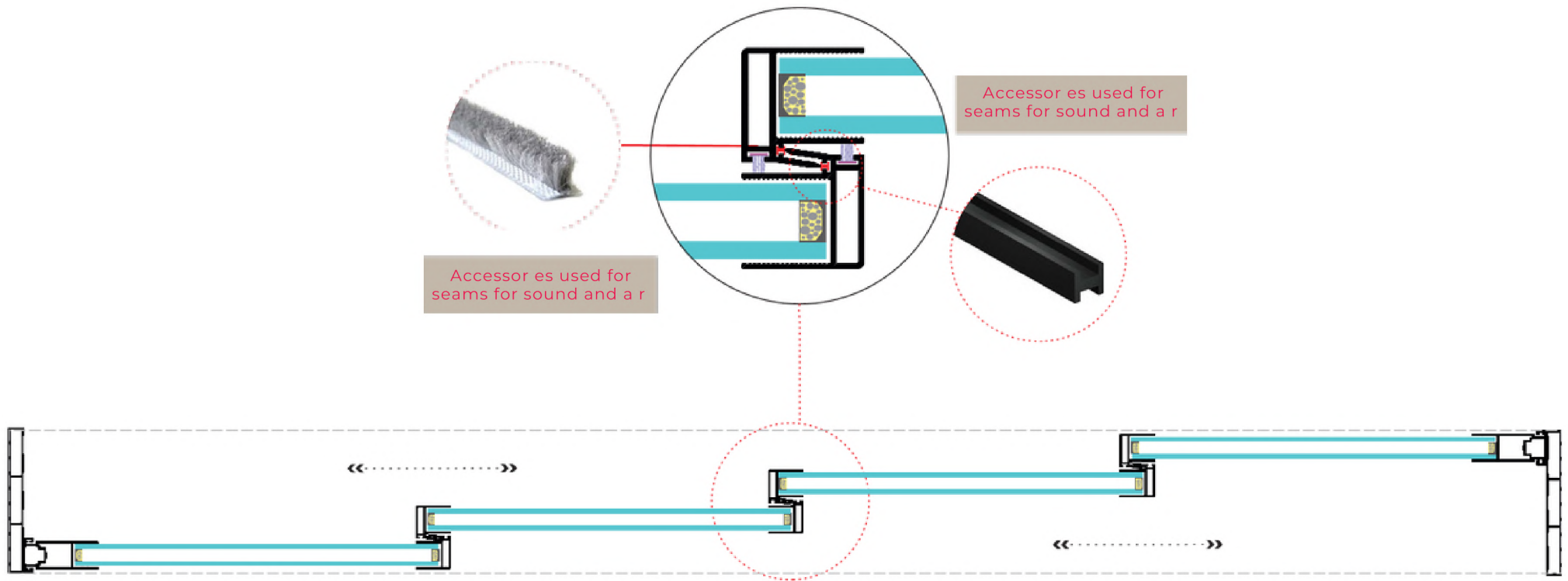
The new sliding systems have enhanced the known strengths of with a new quality

Effective sound attenuation.



Quiet and comfortable





SINGLE GLAZING



DOUBLE GLAZING

you may use this system anywhere



Hotels / Cafe / Offices / Restaurants






Office & Showroom: akırlar Mah. No:118

Konyaaltı - Antalya - TÜRKİYE

info@alurek.com.tr | www.alurek.com.tr

+90 506 946 31 81

 @alurekturkey